

# DIGITAL WIRELESS INTERCOM EPABX UP TO 6 HAND SET



## PRODUCT DESCRIPTION:

The Digital wireless intercoms phone is TDMA technology with up to 6 handset full functionality like intercommunication between handset and telephone connectivity with out any wire. Call transferring and call pickup facility. And excellent features such as backlit LCD display, 50 name and number directory, 12 hours talk time, 240 hours standby, caller identification, adjustable ringer melody, time and date display, and many more.

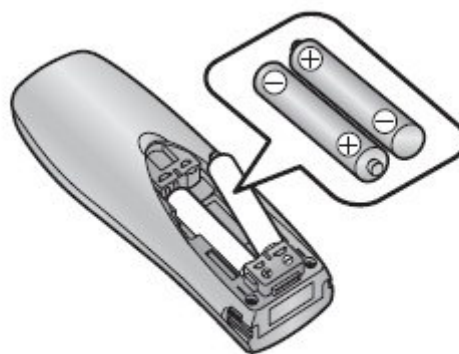
## FEATURES:

- Wireless Handset up to 6 phone
- Navigation Key.
- Redial Memory, Latest 10.
- Caller ID Compatibility (Number of logs) 50.
- Phonebook (Number of Entries)50.
- Hot Key Dialing (Number of Entries)9.
- Ringer Melody and tones 14, 6LCD.
- 14-Seg, 12-digit, 1-line.
- LCD Backlight.
- Time and Date Hour and Min.
- Alarm Time.
- Phonebook.
- Key Lock.
- Any Key Answer 10.
- Standby Time Ni-MH, 700mA 240 Hours.
- Talk Time Ni-MH, 700mA 12 Hours.
- Ringer Volume, 6 steps + off.
- Ear Receiver Volume 3 steps.
- Optional Handset.
- Handset Size (mm) 48 x 32 x 143.
- Handset weight -120gm including battery.

## Technical information:

Full duplex communication  
Number of channels: 120 Duplex Channels  
Frequency range: 1.88 GHz to 1.9 GHz  
Duplex procedure: TDMA (Time Division Multiple Access)  
Channel spacing: 1728 kHz  
Bit rate: 1152 kbit/s  
Modulation: GFSK (Gaussian Frequency Shift Keying)  
RF Transmission Power: Approx. 250 mW  
Voice coding: ADPCM 32 kbit/s  
Operating rang 50M indoor, 300M open area

Operating on 2 x AAA battery



Base unit for telephone connection

