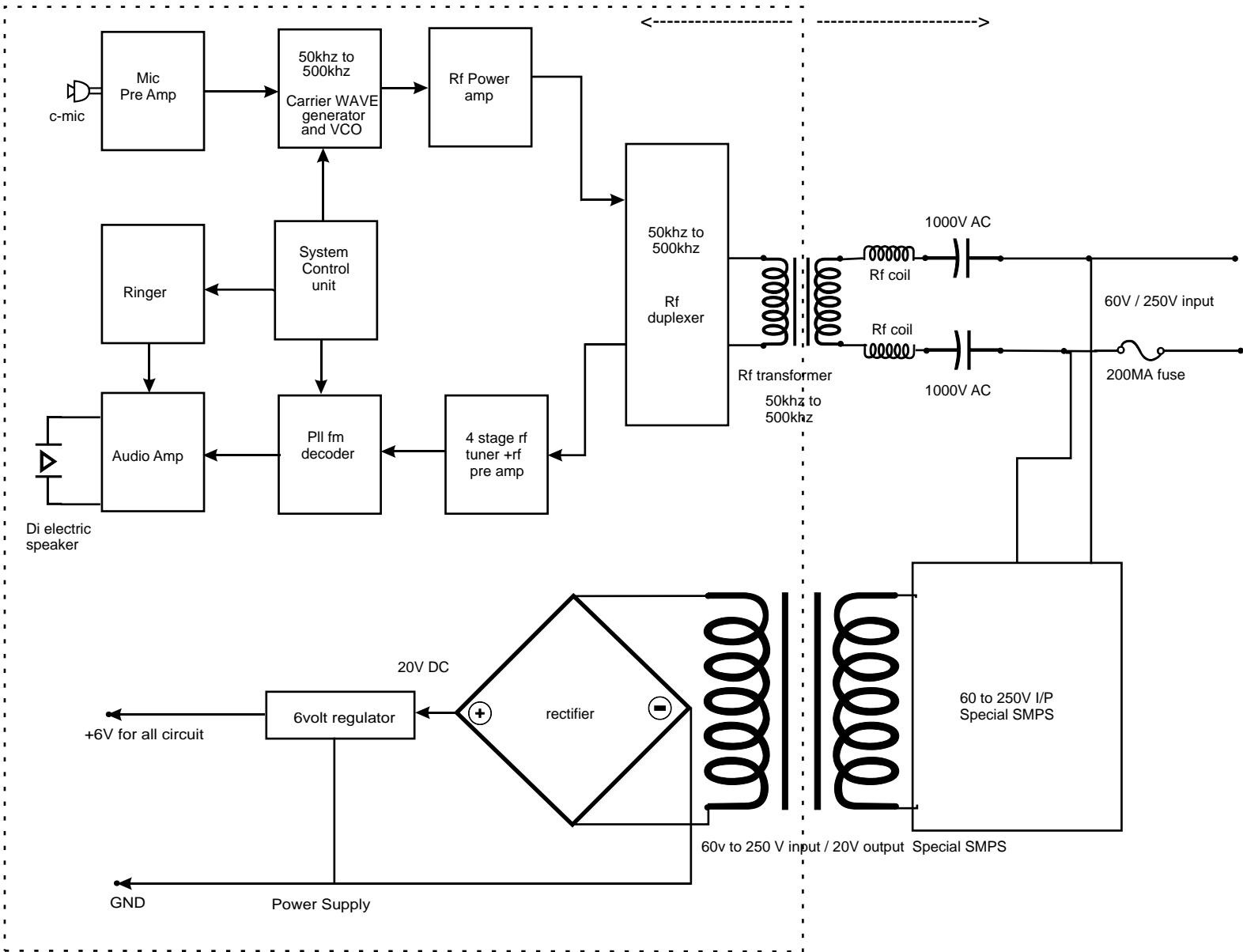


1000M DC isolation (at 500V DC 25°C)  
 10M AC isolation (at 300V AC 50Hz 25°C)



(New) Schematic diagram of Thodukonics Powerfone Power line FM Wireless Intercom Model MCI06B  
 visit : [www.thodukonics.com](http://www.thodukonics.com)